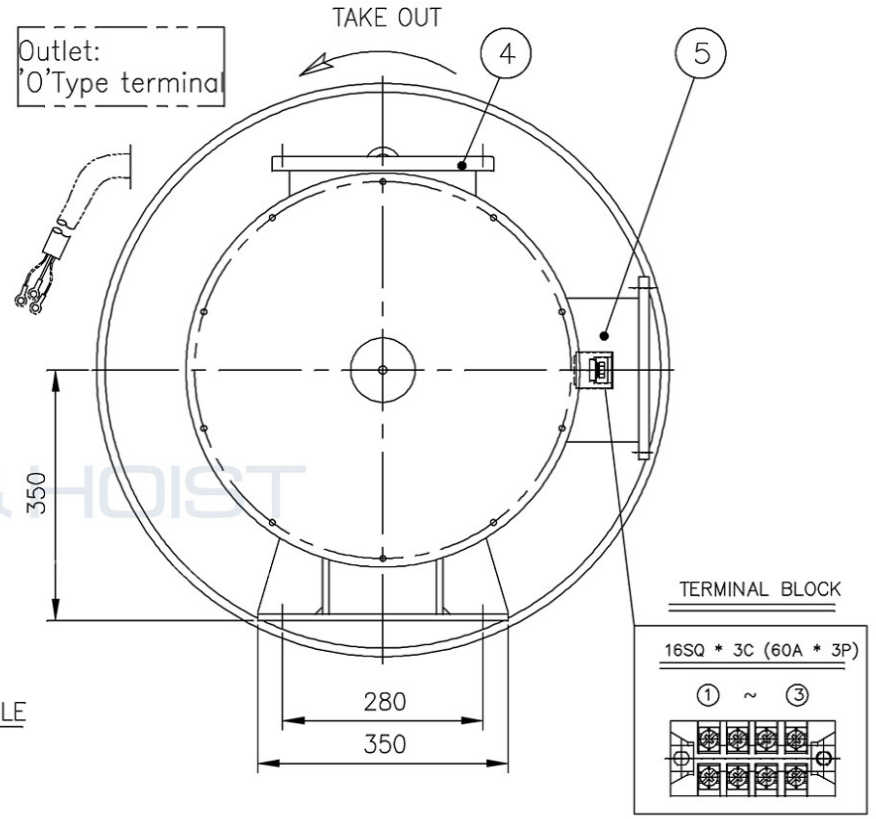
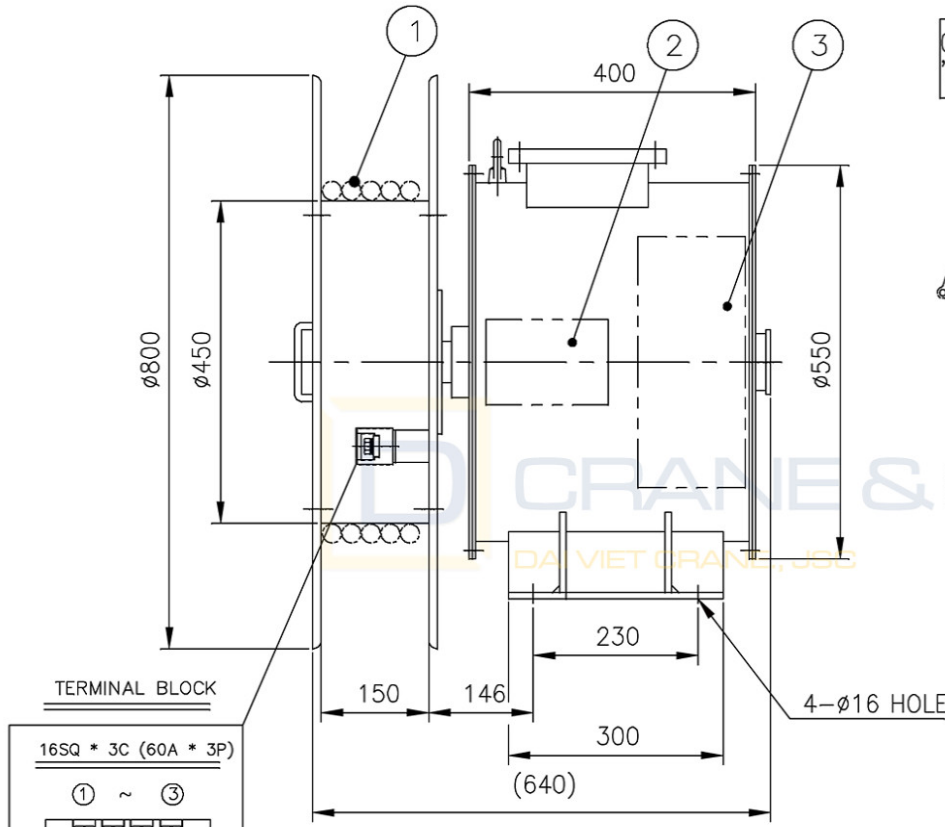
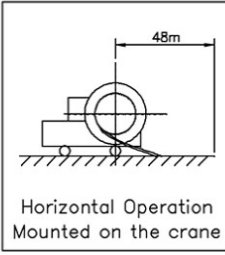
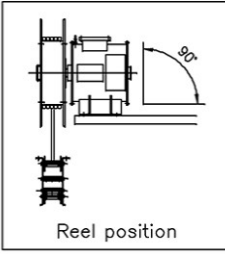
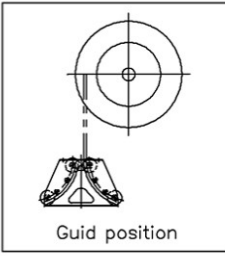
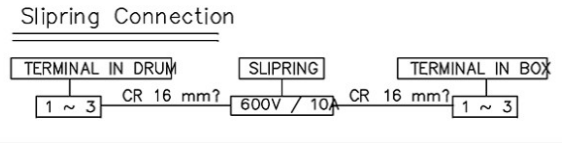


MARK	REVISIONS NO	REASONABLE RVISIONS	DATE	DWN	APVD



**SPECIFICATION**

- Cable
  - o PNCT 16 sq x 3c
  - o Size : approx.  $\phi 22.7\text{mm}$
  - o Weight : approx. 0.919 kg/m
  - o Length : 50 M
- Winding Length : 48 M
- Winding Speed : max. 20 M/MIN
- Winding Torque : 2.5 Kg.m



- Slip Ring : 60A x 4P
- Paint Color : MUNSSELL No. 7.5 BG6/1.5 (Out Door-60um)
- Setting Height Max. 2.0 m from G.L.
- Q' ty : 1 Set
- Weight : 120 Kg

5		TERMINAL BOX	SPHC	1	
4		CHECK BOX	SPHC	1	
3		SPRING	ATX	3	
2		SLIP RING	C3771	3	
1		CABLE	PNCT	50M	
ITEM	PARTS NO.	PART NAME	MATERIAL	Q'TY	REMARKS
??	??	??	??	??	??

PROJECTION	DIMENSIONS	SCALE	MODEL
3rd ANGLE	METRIC (mm)	1 : 10	ECA-1650-3
CUSTOMER	PART NAME		
MODEL COLOR	PART NO.		X300-5000
DRAWING	DESIGN	CHECK	APPROVAL
SIGN	J.J.H		
DATE	2014.4.1		



A4(210X297)